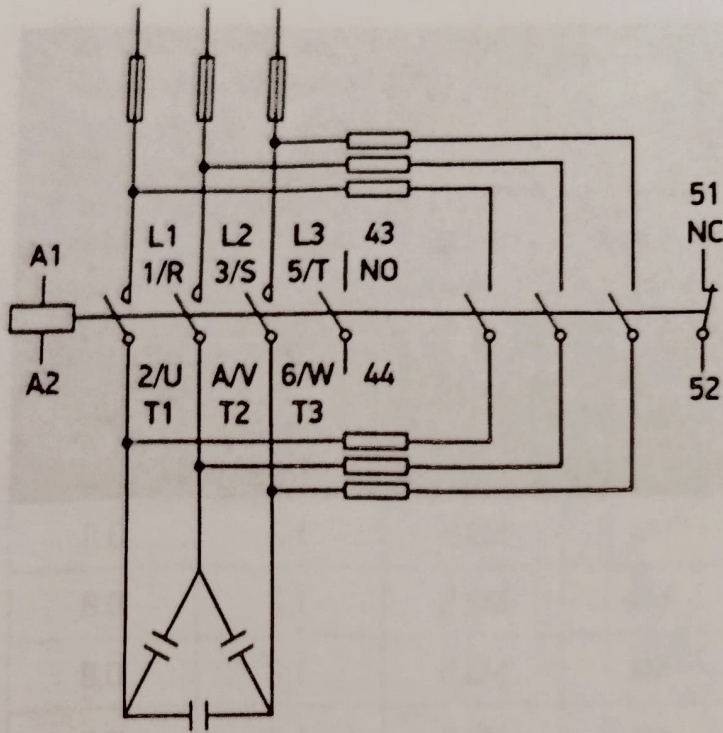


Tip Type	Maks. Çalışma Gücü Max. Capacitor Power		Anma Akımı Rated Current (A)	Yar. Kontak Aux. Contact
	220-240 V	380-440 V		
SCK-2,5	1.5	2.5	4	1NO+1NC
SCK-5	3	5	8	1NO+1NC
SCK-10	6	10	14	1NO+1NC
SCK-15	8	15	22	1NO+1NC
SCK-20	12	20	26	1NO+1NC
SCK-25	15	25	36	1NO+1NC
SCK-33	20	33.3	48	1NO+1NC
SCK-40	22	40	66	1NO+1NC
SCK-50	33.3	50	78	1NO+1NC
SCK-60	45	60	86	1NO+1NC

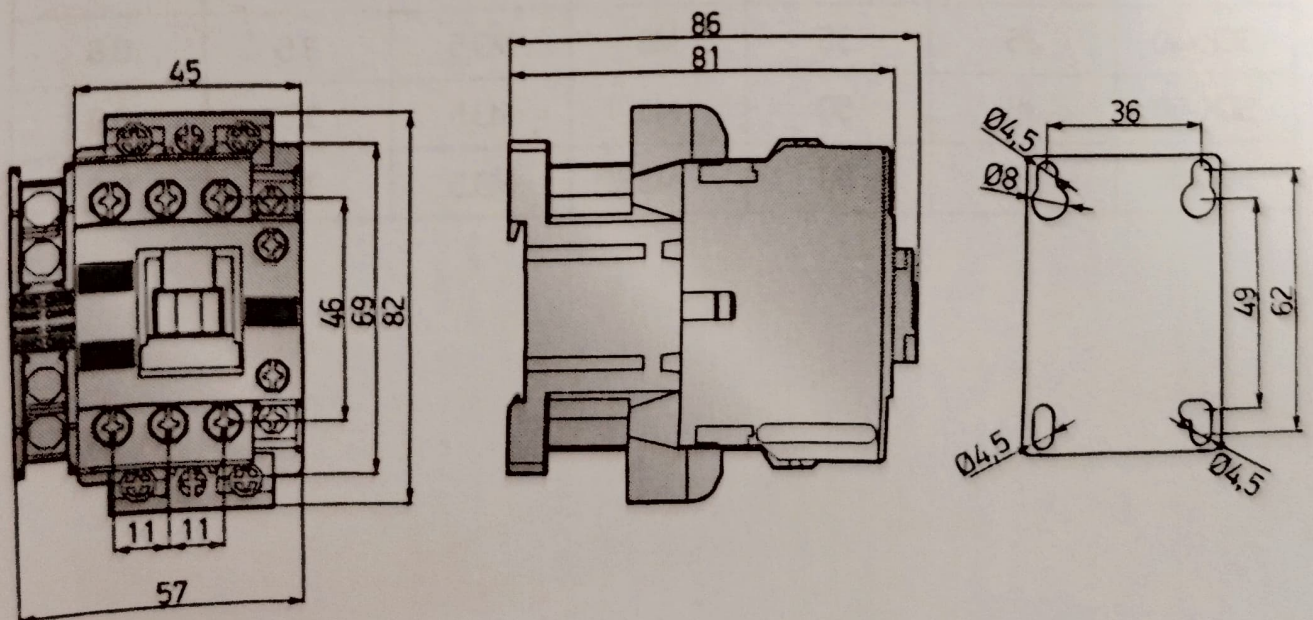
Tip Type	Bağlantı Kesitleri Connecting Selection		Vida Büyüklüğü Screw Size		Sıkma Momenti (Nm) Clamping Moment (Nm)	
	Min. (mm ²)	Max. (mm ²)	Ana Terminal	Yardımcı Kontak Terminali	Ana Kontak	Yardımcı Kontak
			Main Terminal	Aux. Contact Terminal	Main Contact	Aux. Contact
SCK-2,5	1.5	2.5	M4	M3.5	1.2	0.8
SCK-5	2.5	4	M4	M3.5	1.2	0.8
SCK-10	4	6	M4	M3.5	1.2	0.8
SCK-15	6	10	M4	M3.5	1.2	0.8
SCK-20	10	16	M5	M3.5	2	0.8
SCK-25	10	16	M5	M3.5	2	0.8
SCK-33	16	25	M8	M3.5	3.5	0.8
SCK-40	25	35	M8	M3.5	3.5	0.8
SCK-50	35	50	M8	M3.5	3.5	0.8
SCK-60	35	50	M8	M3.5	3.5	0.8

BAĞLANTI ŞEMASI CONNECTING DIAGRAM

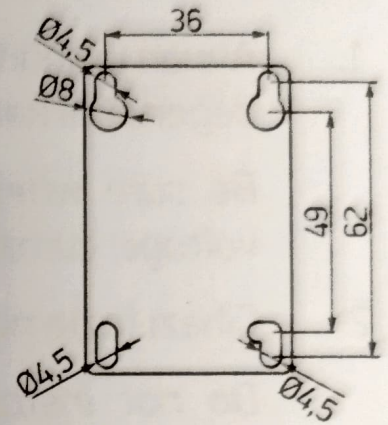
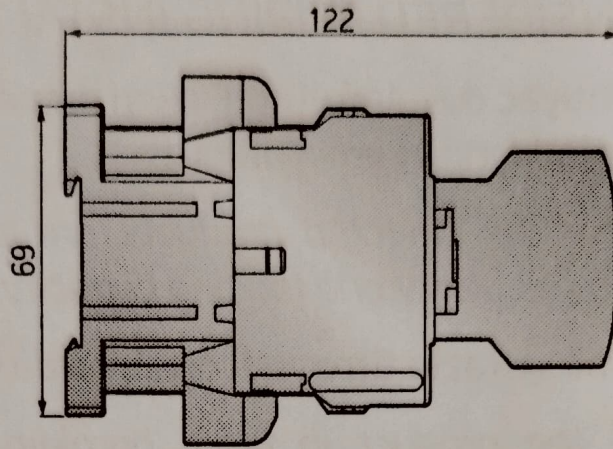
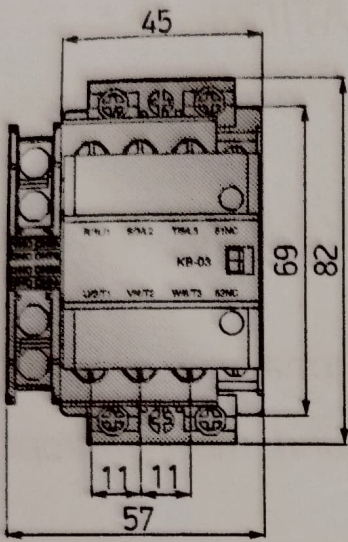


ÖLÇÜLER DIMENSIONS

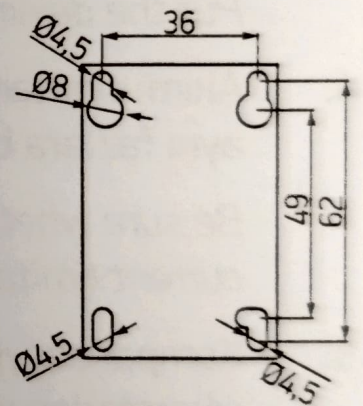
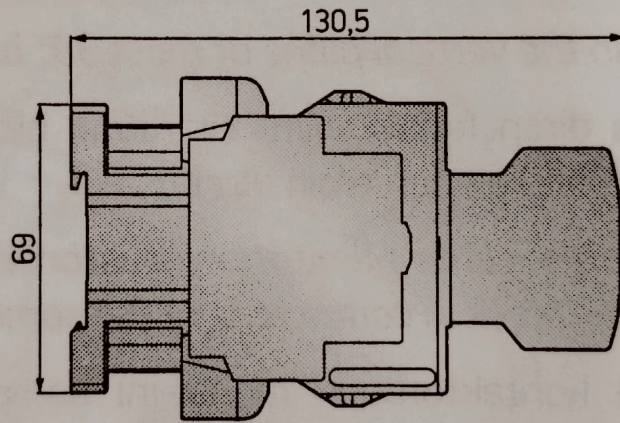
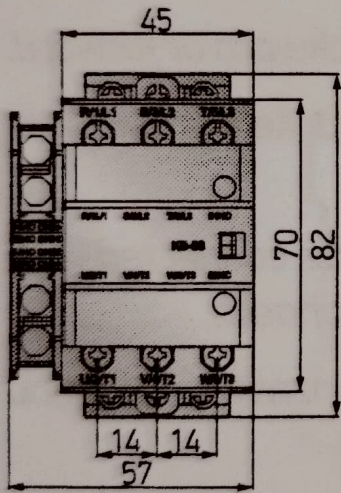
SCK-2,5 ... SCK-5



SCK-10 ... SCK-15



SCK-20 ... SCK-25



SCK-33 ... SCK-60

